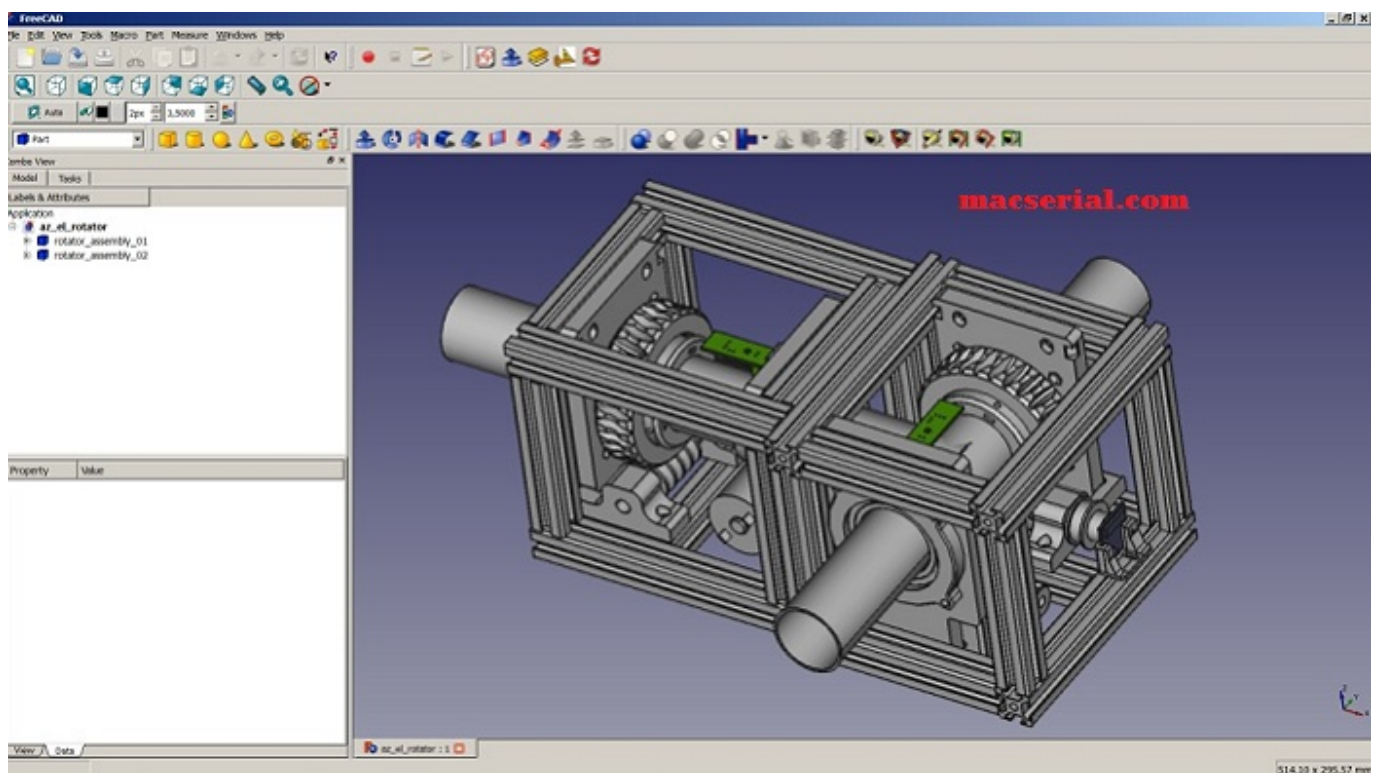


# Free Download



[FreeCAD 2020 Crack Serial Key](#)



[FreeCAD 2020 Crack Serial Key](#)

---

**Free Download**



---

6 MB 188 117 Downloads 1526533 SolidWorks 2020 Crack Serial Number Torrent Full ... Dec 18 2019 PDM and Free CAD Tools eDrawings Composer Player .... DraftSight 2020 is professional-grade free CAD software that may replace AutoCAD. The software program has vibrant features, supports CAD .... Building from source · C++ & Python API · License information · Forum · GitHub · Mastodon · Matrix · IRC · Gitter.im · Reddit · Twitter · Facebook. © The FreeCAD .... Download FreeCAD + Keygen Serial Crack. Tamanho: 296 MB. O número de downloads: 38242. FreeCAD é um open-source CAD 3D modeler, que vem .... Free Cad Software For Macbook ProMacbook Pro Drawing AppsFree Cad For ... You May also Like: Autocad 2015 Crack Keygen (x64) + Activation Code ... You May also like: Autodesk AutoCad 2018 Crack + Activation Code Free [2020].. Apr 12, 2020 - AutoCAD 2020 Crack is special CAD software, that can be used for a ... AutoCAD 2020 Crack Keygen Plus Serial number Full Version Download ... Cooper Streetworks AVS LED - free CAD+BIM block library (DWG+RFA+IPT, .... Nov 10, 2016 - SolidWorks 2017 Crack Full Serial Keygen Download Free is ... SolidWorks 2016 Crack, Serial Number and Keygen Free Cad Tools, All Tv, Tv.. FreeCAD 0.18.3 2019 Download is a basic 3D CAD with advanced motion simulation capabilities. FreeCAD performs full multibody dynamics .... FreeCAD keygen is a basic 3D CAD with advanced motion simulation capabilities. It is suitable ... FreeCAD Crack With Serial Key Latest 2020 ...

FreeCAD 0.18.4 Crack Download With Keygen Free. Mar 19. macserial ... 2020 Mac Serial. All Rights Reserved. error: Content is protected !! ✓. Thanks for .... SolidWorks 2017 Crack & Serial Keygen Full Version Incorporated into a single archive ... PDM, and Free CAD Tools (eDrawings, Composer Player, SOLIDWORKS Explorer). SolidWorks 2020 Crack Setup with Serial Key Free Download.. FreeCAD 0.19.23074 Crack + Keygen Full Free Download Latest 2021 FreeCAD 0.19.23074 Crack Plus Full Free Download Latest 2021.. 13522 Crack with Serial Key Keygen 2020 from the given link below. org See full list on wiki. There are two ways to add dimensions to a model one is placing .... DraftSight 2020 Crack Serial Key Free Download DraftSight Crack is a decent and ... Consider libre free CAD programs that work on Linux MacOS and Windows .... FreeCAD 0.18.3 Build 16131 Crack + License Key ... Vectric Aspire Crack 9.514 Plus License Code 2020 Incl Keygen [ultimate]In "Activator".. FreeCAD 0.18.3 Download is a basic 3D CAD with advanced motion simulation capabilities. FreeCAD ... FreeCAD 0.18.3 Keygen has tons of features that make it so flexible to almost any type of designing. First ... 02.02.2020.. FreeCAD 2020 Crack Serial Key Download DraftSight 2020 for Windows 64bit ... Activate. during installation, enter your serial number for DraftSight Standard, .... Key functions of FreeCAD include geometric cores, rendering, sketching, modular .... Autodesk AutoCAD 2020 x64 Free Download with crack .... FreeCAD 0.18.4 Revision 980bf90 Crack & Serial Key ... FreeCAD Crack With Serial Number. Download FreeCAD. FreeCAD ... Cutting Optimization Pro 5.12.15.0 Crack With Serial Number Latest 2020 .... Window FreeCAD 0.17 Setup-License Agreement will appear on the screen. ... tool for 3D modeling you don't need additional setup of license file or license key. ... Free Download, Install and License SOLIDWORKS 2021, 2020, 2019, 2018, ...

dee5df5a7f

[Autodesk Autocad 2013 32bit Crack Download Torrent](#)

[beatmania idx 19 lincle bms rar](#)

[Gwen Bunn The Verdict Download Zip](#)

[Adobe Photoshop Lightroom CC 2019. 6.1 Crack .rar](#)

[erotikids 4 29](#)

[omnamahshivaydjmixdownload](#)

[Parite 8650 Driver](#)

[Ubisoft Guitar Hits](#)

[Madhoshi download 720p in hindi](#)

[kanninumkannadikkummalayalammoviesongsfree12](#)